

Fabio Leonardi Tomato Milling Machine

Overview

1. The mill **MUST** only be used for 15 minutes at a time with a 15 minute break in between or you will burn out the motor. You will need to pay for a new motor if you break this rule!!
2. The mill must **NOT** be operated empty for more than a few seconds.
3. Fill it, push with the pestle and start the machine.
4. The screen will become hot after use – keep your hands away.
5. The mill **MUST** be turned off before it is completely empty.
6. Wear suitable clothing and jewellery with no parts that dangle or otherwise may become entangled in the machinery.
7. Don't process the tomato pulp more than once
8. Wash and dry each component thoroughly before putting it away. You **CANNOT** put the components in the dishwasher.
9. You can use olive oil to lubricate any of the moving parts.

Basic positioning

It's useful to set the machine up on the edge of the bench with a tray on the left to catch the pulp. We use a large saucepan on a stool to catch the juice.



Assembly

Connect the large arm to the motor. You'll need to unscrew the black headed screw first and then tighten.



Place the spring inside the arm.



Connect mill.

The screw in ring must line up with the seam on the foil. Put the grinder inside the foil.



Screw to finger tightness. This is easiest with the machine against a wall.



Note that the screw is REVERSE THREAD (does up backwards).



You won't be able to screw it in all the way. Screw in a little bit and then start the machine to finish tightening.
Screw in the hopper at the top of the unit. This is easiest done with the whole hand inside.



Clip on the catcher –note the position of the clips in this photo!



Lubricate the screen before using



Use the spanner provided to unscrew when you have finished.

Operation manual

1

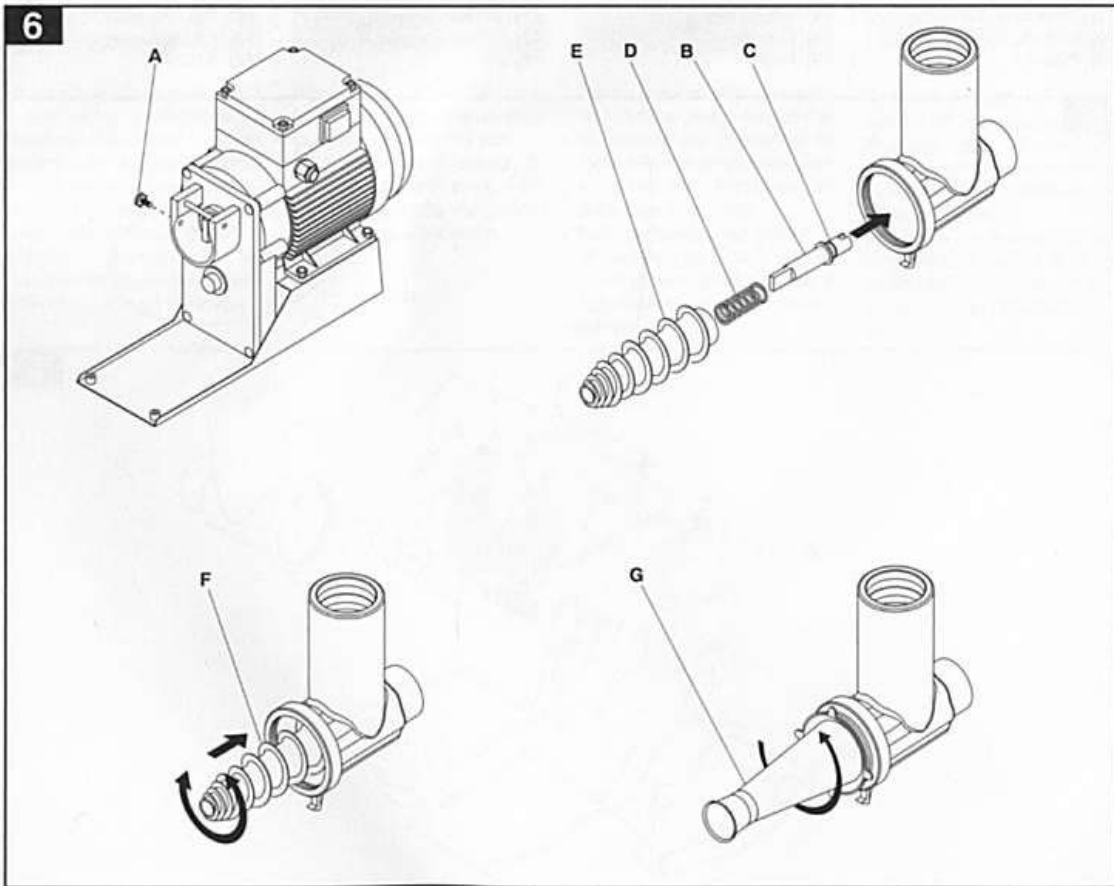
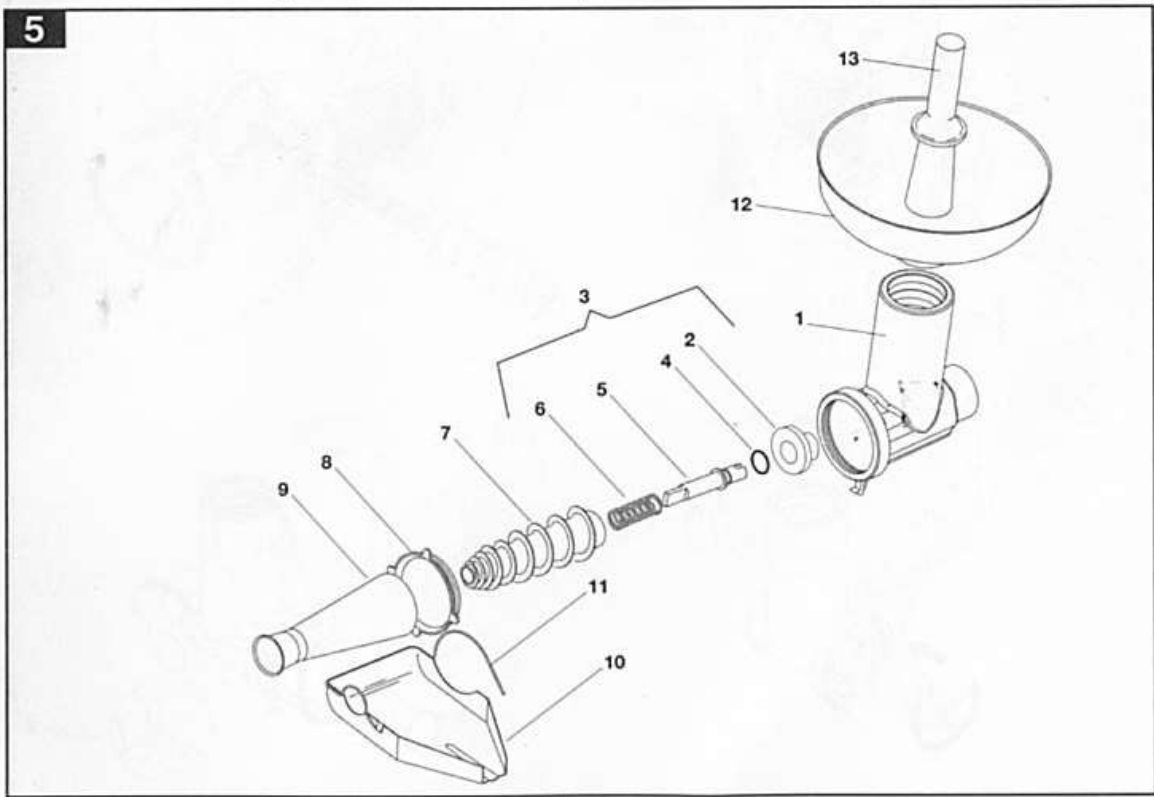
FABIO LEONARDI
BO - MADE IN ITALY
PRODOTTI A NORMA **CE**

ATTENZIONE
STACCARE LA SPINA DALLA PRESA
PRIMA DI QUALSIASI OPERAZIONE

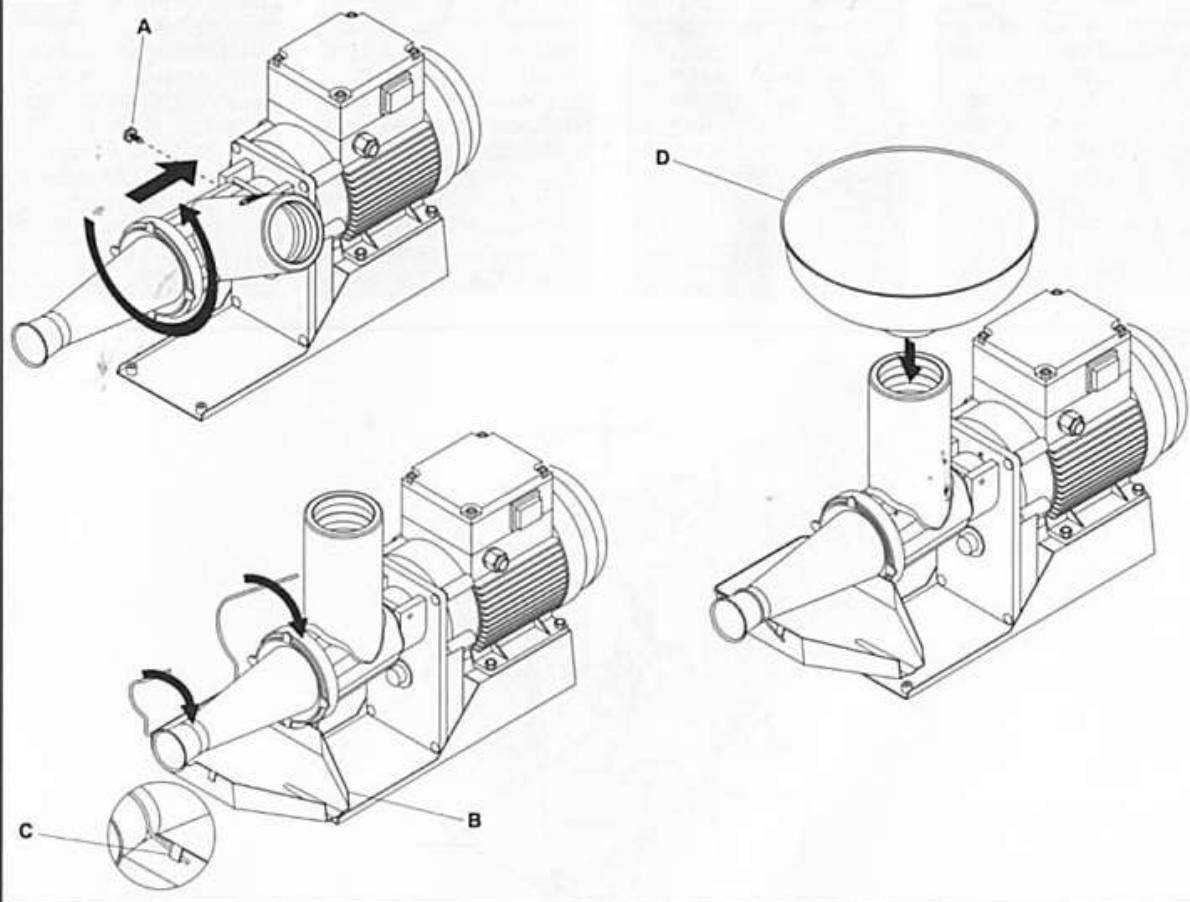
TEL. 051/732377
F.L.B. FAX. 051/735238
MOTORE ASINCRONO

Tipo	<input type="text"/>	Giri	<input type="text"/>
HP	<input type="text"/>	A	<input type="text"/>
V.	<input type="text"/>	Hz.	<input type="text"/>
Prot.	<input type="text"/>	Cosφ	<input type="text"/>
	<input type="text"/>	Is.Cl	<input type="text"/>

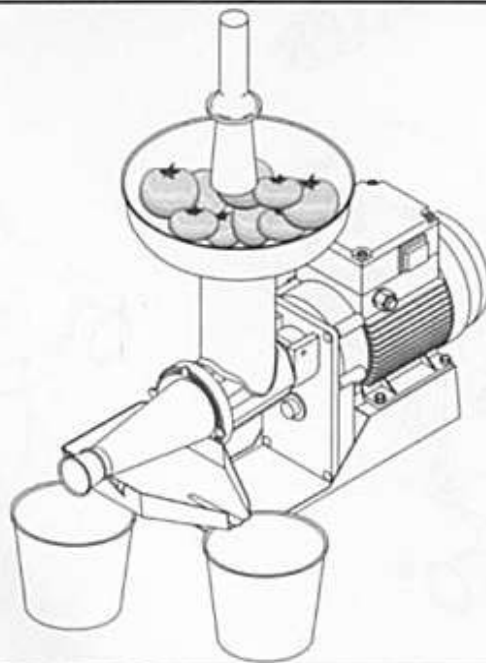
Note: images 2-4 relate to the sausage grinder so are not included here.



7



8



9

